



## INSTALLATION INSTRUCTIONS

DESCRIPTION - 200W IOT Outdoor Controller

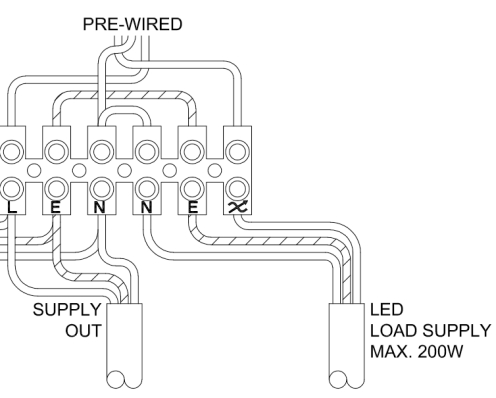
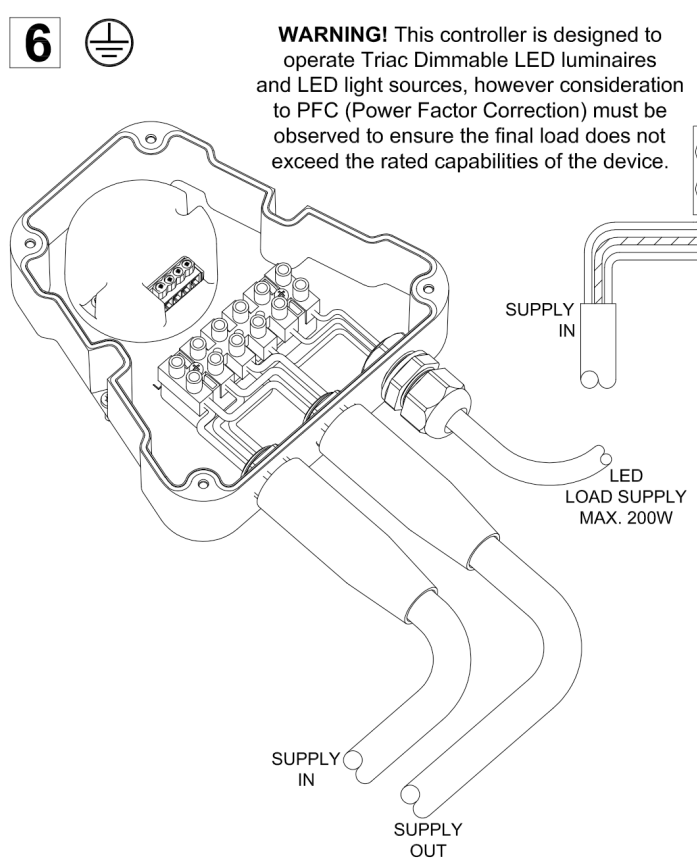
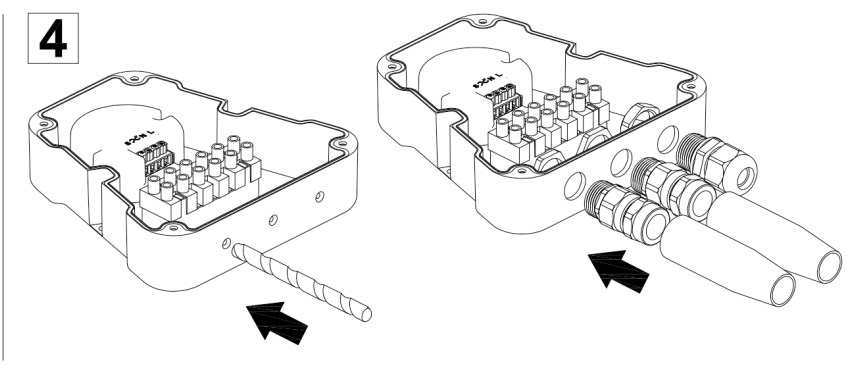
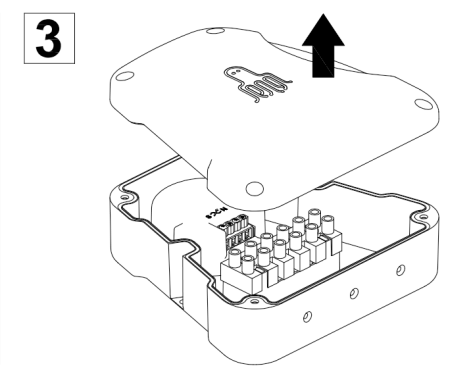
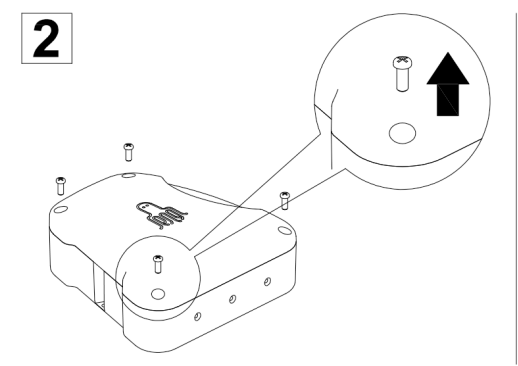
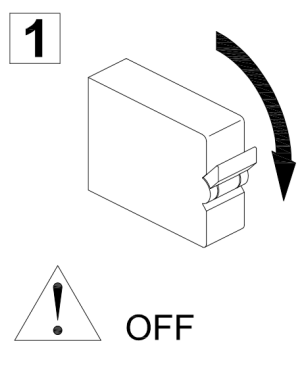
PRODUCT CODE(S) - AOCTO/OC/IP65/200

## APPROVALS & CLASSIFICATIONS

**IP65**

## SPECIFICATION

Voltage: 220-240V  
 Rated Wattage: 200W Max.  
 Frequency: 50/60Hz



**IMPORTANT INFORMATION**

- It is recommended that luminaires are installed and fitted by a qualified electrician ensuring the installation complies to the current IET wiring regulations.
- These instructions should be read carefully and retained after installation for future reference and maintenance.
- Ensure all electrical connections are secure and that there are no loose strands.
- It is the installers responsibility to maintain the IP rating of the enclosure and connections to it.

